

Model Number

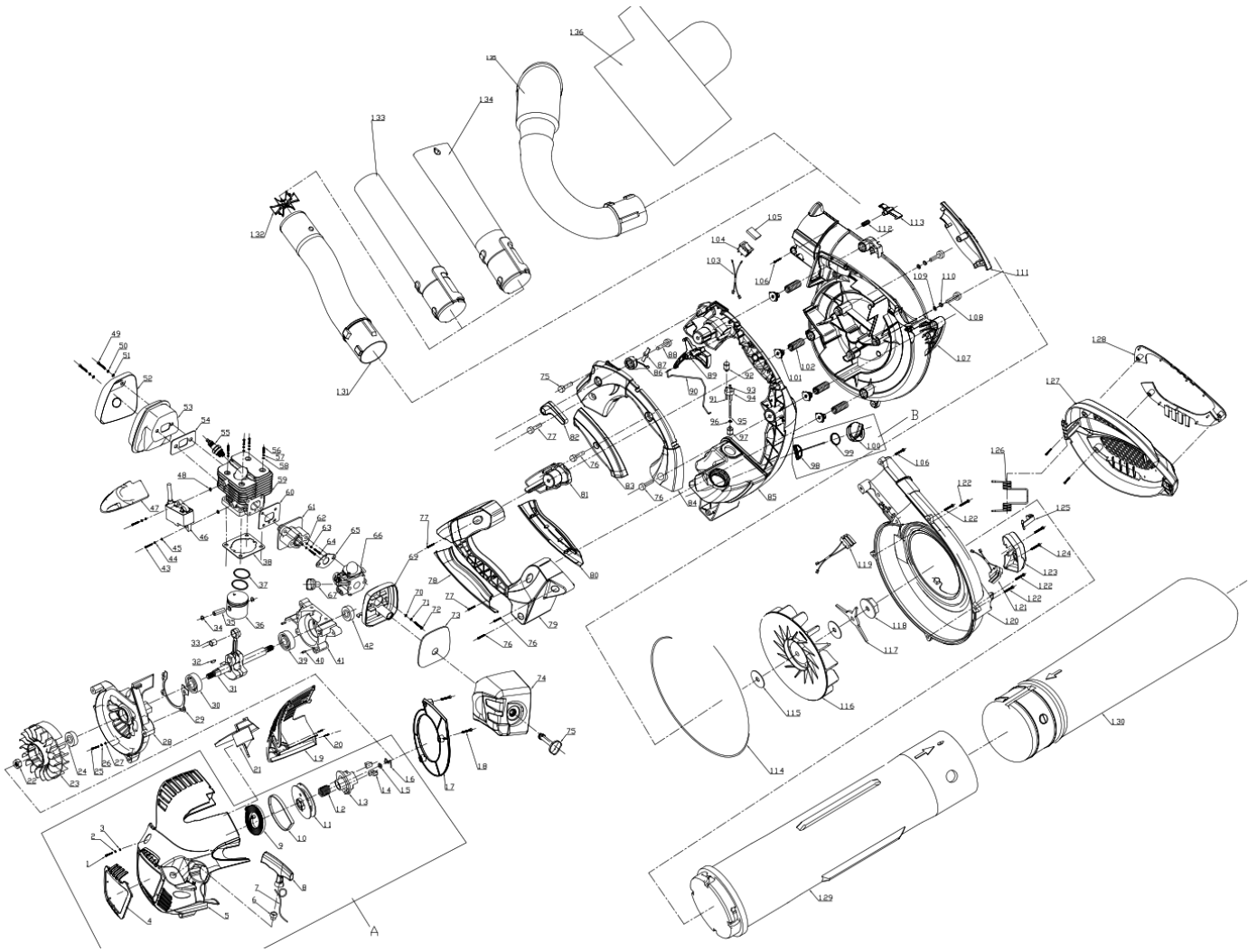
Mac Allister MBVP27



27CC Blower/Vacuum

Parts Manual

# Exploded Diagram



## Parts List

| Part ID | Apelson PN   | MPN              | Part Description                           | Qty |
|---------|--------------|------------------|--|-----|
| 1       | 1016201      | 01.01.6201       | SCREW M5X20                                | 3   |
| 2       | 01.04.0091   | 01.04.0091       | LOCK WASHER Ø5                             | 3   |
| 3       | 01.04.0121   | 01.04.0121       | PLATE WASHER Ø5                            | 3   |
| 4       | GP0000003119 | F28.0210.0001-4  | STARTER HOUSING DECORATIVE BOARD-MAC BLACK | 1   |
| 5       | GP0000003120 | F28.0210.0100-14 | START HOUSING-MAC GREY                     | 1   |
| 6       | GP0000003121 | A25.0110.0101    | EYELET-BLACK                               | 1   |
| 7       | GP0000003122 | A25.0110.0005-1  | START ROPE((Ø2.5*900)                      | 1   |
| 8       | GP0000003123 | A38.0810.0100-32 | START GRIP (WITH BLACK SOFT GRIP)          | 1   |
| 9       | GP0000003124 | A42.0110.0004    | COIL SPRING                                | 1   |
| 10      | GP0000003125 | A42.0110.0005    | COIL SPRING COVER                          | 1   |
| 11      | GP0000003126 | F28.0110.0009    | START PULLEY                               | 1   |
| 12      | GP0000003127 | F28.0110.0002    | START TORSIONAL SPRING                     | 1   |
| 13      | GP0000003128 | F28.0110.0001    | START RATCHET                              | 1   |
| 14      | GP0000003129 | F28.0110.0003    | START DIAL CLAW                            | 2   |
| 15      | GP0000003130 | F28.0110.0004    | PLATE WASHER                               | 1   |
| 16      | GP0000003131 | F28.0110.0005    | CIRCLIP                                    | 1   |
| 17      | GP0000003132 | F28.0210.0002    | AIR DEFLECTOR                              | 1   |
| 18      | GP0000003133 | 01.01.3131       | ST SCREW4×10                               | 3   |
| 19      | GP0000003134 | F28.0110.0006-5  | MUFFLER COVER-MAC BLACK                    | 1   |
| 20      | GP0000003135 | 01.01.3131       | ST SCREW4×10                               | 2   |
| 21      | GP0000003136 | F28.0110.0008    | RUBBER PAD                                 | 1   |
| 22      | GP0000003137 | 01.03.0073       | FLANGE NUT M8                              | 1   |
| 23      | GP0000003138 | F28.0106.0100    | MAGNETO ROTOR                              | 1   |
| 24      | A3803020200  | A38.0302.0200    | OIL-SEAL Ø12×Ø22×7                         | 1   |
| 25      | GP0000003140 | 01.01.6246       | SCREW M5X25                                | 4   |
| 26      | GP0000003141 | 01.04.0091       | LOCK WASHER Ø5                             | 4   |
| 27      | GP0000003142 | 01.04.0121       | PLATE WASHER Ø5                            | 4   |
| 28      | GP0000003143 | F28.0102.0001    | REAR HALF CRANKCASE                        | 1   |
| 29      | GP0000003144 | F28.0102.0003    | GASKET \ CRANK CASE                        | 1   |
| 30      | GP0000003145 | 01.05.1270       | BALL BEARING 6201                          | 2   |
| 31      | GP0000003146 | F28.0103.0100    | CRANK SHAFT ASS'Y                          | 1   |
| 32      | A4501010036  | A45.0101.0036    | KEY3X3.7X10                                | 1   |
| 33      | GP0000003148 | B23.0103.0300    | BEARING Ø8×Ø11×10                          | 1   |
| 34      | A3601030003  | A36.0103.0003    | CIRCLIP \ PISTON RING                      | 2   |
| 35      | GP0000003150 | F28.0103.0003    | PISTON PIN                                 | 1   |
| 36      | GP0000003151 | F28.0103.0300    | PISTON                                     | 1   |
| 37      | GP0000003152 | F28.0103.0002    | PISTON RING                                | 2   |
| 38      | GP0000003153 | F28.0101.0006    | GASKET OF CYLINDER                         | 1   |
| 39      | GP0000003154 | 01.05.1270       | BALL BEARING 6201                          | 1   |
| 40      | GP0000003155 | 01.05.0161       | PINØ3×9                                    | 2   |
| 41      | GP0000003156 | F28.0102.0002    | FORE HALF CRANKCASE                        | 1   |
| 42      | A3803020200  | A38.0302.0200    | OIL-SEAL Ø12×Ø22×7                         | 1   |
| 43      | GP0000003158 | 01.01.6208       | SCREW M4X20                                | 2   |
| 44      | GP0000003159 | 01.04.01091      | LOCK WASHER Ø4                             | 2   |
| 45      | 1040251      | 01.04.0251       | PLATE WASHER Ø4                            | 2   |
| 46      | GP0000003161 | F28.0106.0200    | IGNITION                                   | 1   |

|    |              |                  |   |   |
|----|--------------|------------------|---|---|
| 47 | GP0000003162 | 12.02.0095       | SPARK PLUG COVER                                    | 1 |
| 48 | GP0000003163 | F28.0101.0005    | HEAT INSULATION PAD, STATOR                         | 2 |
| 49 | GP0000003164 | 01.01.2303       | SCREW M5x60   | 2 |
| 50 | GP0000003165 | 01.04.0091       | LOCK WASHER Ø5                                      | 2 |
| 51 | GP0000003166 | 01.04.0121       | PLATE WASHER Ø5                                     | 2 |
| 52 | GP0000003167 | F28.0101.0004    | MUFFLER INSULATION COVER                            | 1 |
| 53 | GP0000003168 | 05.01.07.1103    | MUFFLER   | 1 |
| 54 | GP0000003169 | F28.0101.0003    | MUFFLER GASKET                                      | 1 |
| 55 | A4501060500- | A45.0106.0500-2  | SPARK PLUG (CHAMPION)                               | 1 |
| 56 | 1016203      | 01.01.6203       | SCREW M5X25   | 4 |
| 57 | GP0000003172 | 01.04.0091       | LOCK WASHER Ø5                                      | 4 |
| 58 | GP0000003173 | 01.04.0121       | PLATE WASHER Ø5                                     | 4 |
| 59 | GP0000003174 | F28.0101.0002-5  | CYLINDER  | 1 |
| 60 | GP0000003175 | F28.0101.0001    | INLET PIPE SEALING GASKET                           | 1 |
| 61 | GP0000003176 | F28.0101.0100    | ADMITTING PIPE                                      | 1 |
| 62 | GP0000003177 | 01.04.0121       | PLATE WASHER Ø5                                     | 2 |
| 63 | GP0000003178 | 01.04.0091       | LOCK WASHER Ø5                                      | 2 |
| 64 | 1016201      | 01.01.6201       | SCREW M5X20   | 2 |
| 65 | GP0000003180 | C26.1101.0004    | CARBURETOR GASKET                                   | 1 |
| 66 | GP0000003181 | F28.0101.0200    | CARBURETOR (CHINESE HUALONG)                        | 1 |
| 67 | GP0000003182 | F28.0100.0001-2  | AIR DOOR KONB-MAC BLACK                             | 1 |
| 69 | GP0000003183 | F28.0104.0003-6  | AIR BOX BASE-MAC BLACK                              | 1 |
| 70 | GP0000003184 | 01.04.0121       | PLATE WASHER Ø5                                     | 2 |
| 71 | GP0000003185 | 01.04.0091       | LOCK WASHER Ø5                                      | 2 |
| 72 | GP0000003186 | 01.01.6249       | SCREW M5X45   | 2 |
| 73 | GP0000003187 | F28.0104.0002    | SPONE   | 1 |
| 74 | GP0000003188 | F28.0204.0004-4  | AIR FILTER COVER-MAC BLACK                          | 1 |
| 75 | GP0000003189 | F28.0104.0004-2  | AIR FILTER KONB-MAC BLACK                           | 1 |
| 76 | 1013031      | 01.01.3031       | TAPPING SCREW ST5x16                                | 4 |
| 77 | GP0000003191 | 01.01.3202       | TAPPING SCREW ST5x19                                | 4 |
| 78 | GP0000003192 | F28.0112.0300-31 | LOWER HANDLE UPPER COVER (WITH BLACK SOFT GRIP)     | 1 |
| 79 | GP0000003193 | F28.0112.0003-5  | LOWER HANDLE-MAC BLACK                              | 1 |
| 80 | GP0000003194 | F28.0112.0400-31 | LOWER HANDLE LOWER COVER (WITH BLACK SOFT GRIP)     | 1 |
| 81 | GP0000003195 | F28.0112.0004-6  | LOWER HANDLE SUPPORT                                | 1 |
| 82 | GP0000003196 | F28.0112.0009    | THROTTLE SETTING KNOB                               | 1 |
| 83 | GP0000003197 | F28.0112.0100-36 | UPPER HANDLE LEFT SOFT COVER (WITH BLACK SOFT GRIP) | 1 |
| 84 | GP0000003198 | F28.0112.0002-6  | UPPER HANDLE LEFT COVER                             | 1 |
| 85 | GP0000003199 | 12.01.1198       | UPPER HANDLE RIGHT COVER + FUEL TANK                | 1 |
| 86 | GP0000003200 | F28.0112.0008-1  | CONTROL LEVER-MAC BLACK                             | 1 |
| 87 | GP0000003201 | F28.0112.0009    | CONTROL REED  | 1 |
| 88 | 1013031      | 01.01.3031       | ST SCREWS5x16                                       | 1 |
| 89 | GP0000003203 | F28.0112.0006-11 | TRIGGER-MAC BLUE                                    | 1 |
| 90 | GP0000003204 | F28.0112.0007    | THE THROTTLE CONNECT ROD                            | 1 |
| 91 | GP0000003205 | 03.01.2.153      | AIR TUBE  | 1 |
| 92 | GP0000003206 | A45.0111.0200    | BALANCER  | 1 |
| 93 | GP0000003207 | A38.0311.0002-1  | OIL RETURN PIPE                                     | 1 |
| 94 | GP0000003208 | C43.1107.0003    | RETAINER.FUEL TUBE                                  | 1 |
| 95 | GP0000003209 | A38.0311.0002-1  | FUEL TUBE   | 1 |
| 96 | GP0000003210 | A45.0102.0103    | CLAMP, FUEL TUBE                                    | 1 |

|     |              |                  |  |   |
|-----|--------------|------------------|--|---|
| 97  | GP0000003211 | A38.0311.0500-1  | FUEL FILTER  | 1 |
| 98  | GP0000003212 | A38.0311.0302    | ANTI DROP PLATE                                      | 1 |
| 99  | GP0000003213 | 03.01.2.100      | O-RINGS  | 1 |
| 100 | GP0000003214 | A38.0811.0201-3  | FUEL TANK CAP-MAC BLUE                               | 1 |
| 101 | GP0000003215 | F28.0111.0003    | FIXED BLOCK  | 4 |
| 102 | GP0000003216 | F28.0111.0002    | DAMPING SPRING                                       | 4 |
| 103 | GP0000003217 | F28.0213.0100    | FLAMEOUT WIRE ASSEMBLY                               | 1 |
| 104 | GP0000003218 | A38.0306.0500-45 | SWITCH-MAC BLUE                                      | 1 |
| 105 | E5801520005  | E58.0152.0005    | WATERPROOF CAP                                       | 1 |
| 106 | 1013031      | 01.01.3031       | TAPPING SCREW ST5×16                                 | 6 |
| 107 | GP0000003221 | F28.0111.0100-5  | VOLUTE(LEFT)-MAC BLACK                               | 1 |
| 108 | 1016203      | 01.01.6203       | SCREW M5×25  | 3 |
| 109 | GP0000003223 | 01.04.0121       | PLATE WASHER Ø5                                      | 3 |
| 110 | GP0000003224 | 01.04.0091       | LOCK WASHER Ø5                                       | 3 |
| 111 | GP0000003225 | F28.0112.0200-36 | UPPER HANDLE RIGHT SOFT COVER (WITH BLACK SOFT GRIP) | 1 |
| 112 | GP0000003226 | C53.6111.0105    | BUTTON SPRING  | 1 |
| 113 | GP0000003227 | F28.0111.0006-11 | FIXED ROD-MAC BLACK                                  | 1 |
| 114 | GP0000003228 | F28.0111.0013    | STRIP SEAL 3X3X770                                   | 1 |
| 115 | F2801110010  | F28.0111.0010    | PLATE WASHER   | 2 |
| 116 | GP0000003230 | F28.0111.0009    | IMPELLER   | 1 |
| 117 | GP0000003231 | F28.0111.0011    | BLADE  | 1 |
| 118 | GP0000003232 | 01.03.0284       | LEFT HANDED NUTM8                                    | 1 |
| 119 | GP0000003233 | F28.0213.0200-1  | FRONT SAFETY SWITCH                                  | 1 |
| 120 | GP0000003234 | F28.0111.0001-5  | RIGHT HALF VOLUTE-MAC BLACK                          | 1 |
| 121 | GP0000003235 | F28.0213.0300-1  | SIDE MICROSWITCH                                     | 1 |
| 122 | 1013031      | 01.01.3031       | TAPPING SCREW ST5×16                                 | 6 |
| 123 | GP0000003237 | F28.0111.0005    | PROTECTION COVER, SWITCH                             | 1 |
| 124 | GP0000003238 | 01.01.3131       | ST SCREW4×10   | 2 |
| 125 | GP0000003239 | F28.0111.0004    | SWITCH LEVER   | 1 |
| 126 | F2801110008  | F28.0111.0008    | TORSIONAL SPRING                                     | 1 |
| 127 | GP0000003241 | F28.0211.0101-14 | IMPELLER COVER-MAC BLUE                              | 1 |
| 128 | GP0000003242 | F28.0211.0102-4  | DECORATIVE BOARD-MAC BLACK                           | 1 |
| 129 | 20055822     | F28.0115.0001    | ASPIRATION CHANNEL 1-BLACK                           | 1 |
| 130 | 20055822     | F28.0115.0002    | ASPIRATION CHANNEL 2-BLACK                           | 1 |
| 131 | GP0000003245 | F28.0214.0001    | CURVE BLOW PIPE-BLACK                                | 1 |
| 132 | GP0000003246 | F28.0114.0004a   | SAFETY FENCE   | 1 |
| 133 | 20068881     | F28.0114.0003    | ROUND BLOW PIPE-BLACK                                | 1 |
| 134 | GP0000003248 | F28.0114.0002    | FLAT BLOW PIPE-BLACK                                 | 1 |
| 135 | GP0000003249 | F28.0115.0200    | COLLECTION PIPE-BLACK                                | 1 |
| 136 | GP0000003250 | F28.0115.0100-13 | COLLECTION BAG-BLACK (M LOGO)                        | 1 |